

AMP-TRAP®

CS-3 SERIES



E-RATED/MEDIUM VOLTAGE FUSES



5kV, 8kV and 15.5kV FERRULE MOUNTED FUSES

Amp-trap® CS-3 E-rated 5kV 8kV and 15kV fuses have 2 or 3 inch diameter barrels with ferrules and are mounted in spring reinforced clips. They are UL listed as “general purpose current-limiting fuses” and are for use indoors (or outdoors in a weatherproof enclosure). The unique time-current characteristic of Ferraz Shawmut E-rated fuses allows them to be closely sized to transformer full-load rated current, as recommended by IEEE guidelines, without being affected by normal magnetizing inrush current. CS-3 fuses are typically sized at transformer rated current of 133%, thereby providing superior overall protection.

HIGHLIGHTS:

- E-Rated
- UL Listed 5.5kV and 15.5kV
- Complies with ANSI C37.46

APPLICATIONS:

- Protection for 5.5, 8.25
- or 15.5kV transformers or distribution system.



DEFINITIONS:

E-rating

E-rated fuses operate as follows:
100E or less - must melt in 300 seconds (5 mins.) at 200 to 240% of E (ampere) rating.
Over 100E - must melt in 600 seconds (10 mins.) at 220 to 264% of E (ampere) rating.
Example - A 100E fuse must melt in 300 seconds with an applied current of 200 to 240 amperes.

General Purpose Current-Limiting Fuse

A general purpose current-limiting power fuse is one that is capable of interrupting all currents from its rated interrupting rating down to the current that causes melting of the fusible element in one hour.

Features/Benefits

- **UL Listed** for compatibility with UL listed equipment
- **Ferrule mounting** for standard clips and interchangeability with other brands of fuses
- **Current Limiting** for superior equipment protection
- **Blown-fuse indicator** gives positive identification of open fuse
- **Non-venting** for silent operation
- **Metal Embossed Catalog Number** and manufacturing date for lasting identification

Ratings

- **A055F**
AC: 5E to 450E
5.5kV, 63kA I.R. Sym.
- **A825X**
AC: 10E to 200E
8.25kV, 50kA I.R. Sym.
- **A155F**
AC: 5E TO 200E
15.5kV, 50kA I.R. Sym.

Approvals

- UL Listed to JEEG, “Fuses Over 600 Volts”
UL File # E143362

Spring-Reinforced Clips for CS-3 Fuses:

228-700-530 (One pair of clips)
For 3” Diameter, 2 barrels max.

CS-3 SERIES

E-RATED/MEDIUM VOLTAGE FUSES

8.25kV Ferrule Mounted

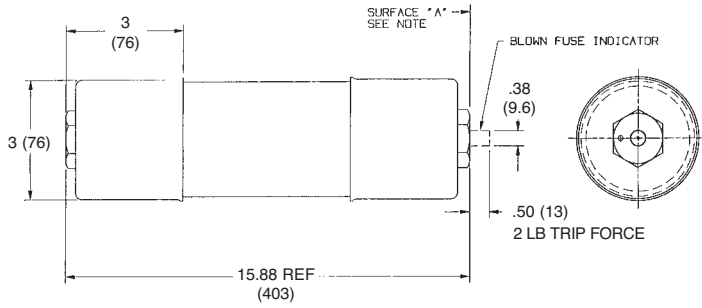


Figure A

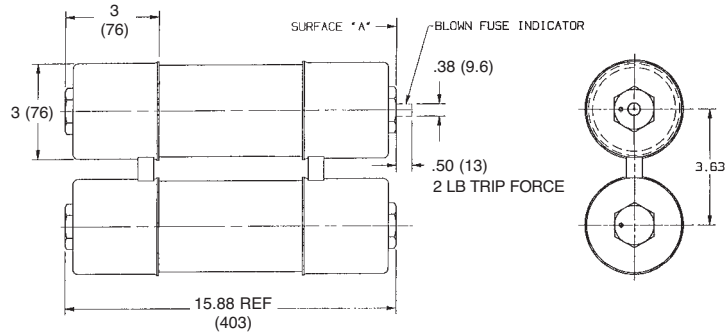


Figure B



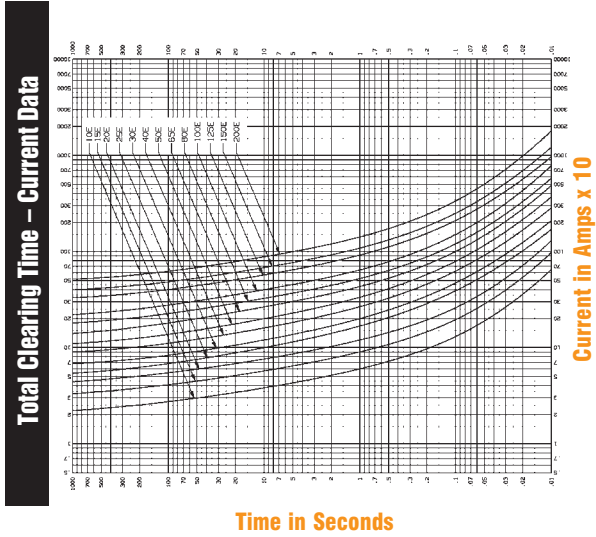
CATALOG NUMBER	AMPERE RATING	NUMBER OF BARRELS	FIG.	INTERRUPTING RATING RMS SYM. AMPERES*
8.25kV MAX. FERRULE MOUNTED STYLE - 12" (305 mm) CLIP CENTER - 3" (76.2 mm) BARREL DIAMETER				
A825X10E-1	10E	1	A	50,000
A825X15E-1	15E	1	A	
A825X20E-1	20E	1	A	
A825X25E-1	25E	1	A	
A825X30E-1	30E	1	A	
A825X40E-1	40E	1	A	
A825X50E-1	50E	1	A	
A825X65E-1	65E	1	A	
A825X80E-1	80E	1	A	
A825X100E-1	100E	1	A	
A825X125E-1	125E	2	B	50,000
A825X150E-1	150E	2	B	
A825X200E-1	200E	2	B	

* RMS ASYM. AMPS = RMS SYM. AMPERES x 1.6

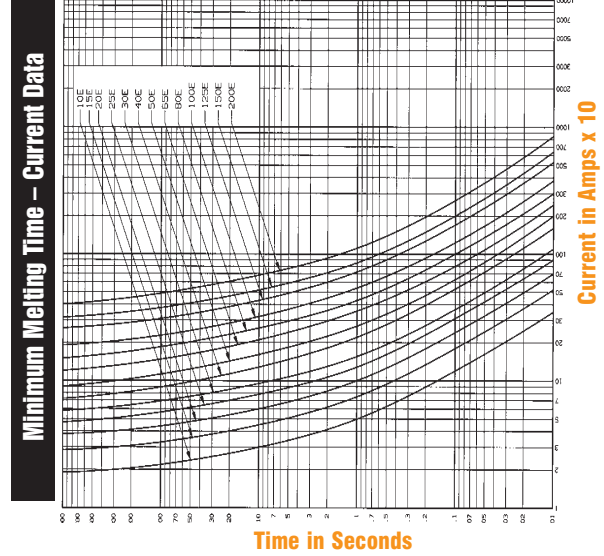
CS-3 SERIES

E-RATED/MEDIUM VOLTAGE FUSES

A825X (10E to 200E) -1



A825X (10E to 200E) -1



A825X (10E to 200E) -1

Peak Let-Thru Current Data, E-Rated Fuses

