

# SJ SERIES

## 600 VOLT/FUSE BLOCKS



### SPACE-SAVING FUSE BLOCKS

Ferraz Shawmut expands its popular “SJ” series fuse blocks to now include a 100A version in addition to the existing 30A design. These blocks occupy up to 25% less mounting space than standard Class J fuse blocks. A patented built-in DIN rail adapter on the 30A SJ block adds further design versatility. A choice of box, screw, or pressure plate connectors fit a wide range of stranded, solid copper, or aluminum wire for the 30A design, while the 100A design features a box connector. Insulators are glass-filled polycarbonate with verified dielectric strength in excess of 2500V. Both the 30A and 100A SJ blocks feature a unique adder block which can be snapped onto 1-, 2-, or 3-pole blocks to form multi-pole segmented blocks of as many poles as desired. All fuse clips are spring reinforced, made of high conductivity tin-plated copper.

### RECOMMENDED FUSE USAGE

Class J Blocks (600V) . . . . . use with AJT, A4J, HSJ

#### Ratings

- 600VAC:  
30A, 100A
- Short Circuit Current  
Rating: 200kA

#### Approvals

- All fuse blocks meet the requirements of UL 512
- UL Listed, Guide IZLT, File E52283
- CSA Certified Class 6225, File 32169



### Clip & Connector Types

#### 30A CLIP

SPRING  
REINFORCED



#### 30A CONNECTORS

SPRING  
REINFORCED:  
BOX



SCREW



PRESSURE  
PLATE



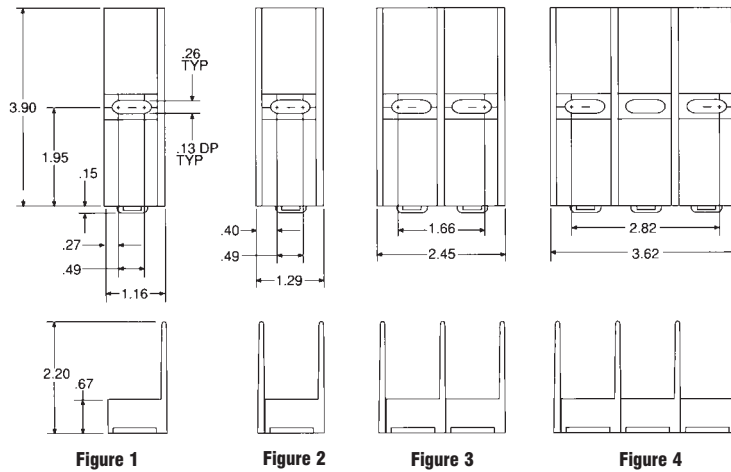
#### 100A CONNECTORS

TERMINAL

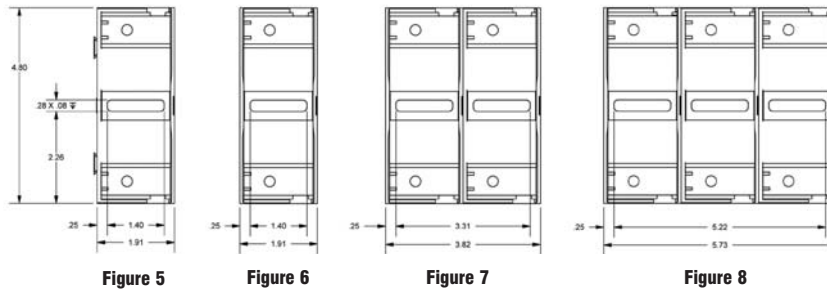


# SJ SERIES

## 600 VOLT/FUSE BLOCKS



Recommended mounting screws for 30A fuse blocks: 1/4" (.250" dia.)



### 600 Volt, 30A Class J Fuse Blocks

AMPERE RATING	POLES	CONNECTOR		CATALOG NUMBER	FIG.	CONNECTOR TORQUE In - lb
		TYPE	WIRE RANGE			
30 GFPC INSULATOR	ADDER 1 2 3	BOX	Al/Cu #2-14	60305SJ	1	35
				60306SJ	2	
				60307SJ	3	
				60308SJ	4	
	ADDER 1 2 3	SCREW	Cu #10-14	60315SJ	1	20
				60316SJ	2	
				60317SJ	3	
				60318SJ	4	
	ADDER 1 2 3	PRESSURE PLATE	Cu #10-14	60325SJ	1	20
				60326SJ	2	
				60327SJ	3	
				60328SJ	4	
ADDER 1 2 3	BOX	Cu* #4-14	60355SJ	1	35	
			60356SJ	2		
			60357SJ	3		
			60358SJ	4		
100 GFPC INSULATOR	ADDER 1 2 3	BOX SIDE CLIP	Al/Cu 2/0#6	61005SJ	5	100 (AL WIRE) 60 (CU WIRE)
				61006SJ	6	
				61007SJ	7	
				61008SJ	8	

**Note:** To convert 30A "SJ" adder pole to single pole, use end barrier #U09372.

\* Fuse blocks have copper box connectors and clips and are for copper wires only. These are specifically designed with the same coefficient of expansion as copper wire for improved heat cycling and meet or exceed OEM "no aluminum" specifications.